

Tilt Error 1 (Tilt Error 2)

The messages will appear after the reset of the head if the head is not located in the default position.

13. Technical specifications

Power supply:

Voltage:.....100/120/208/230/240V AC, 50/60Hz ~
Live Fuse:.....T 6.3A@230V, T 10A@120V
Neutral Fuse:.....T 6.3A@230V, T 10A@120V
Power consumption:.....760 VA

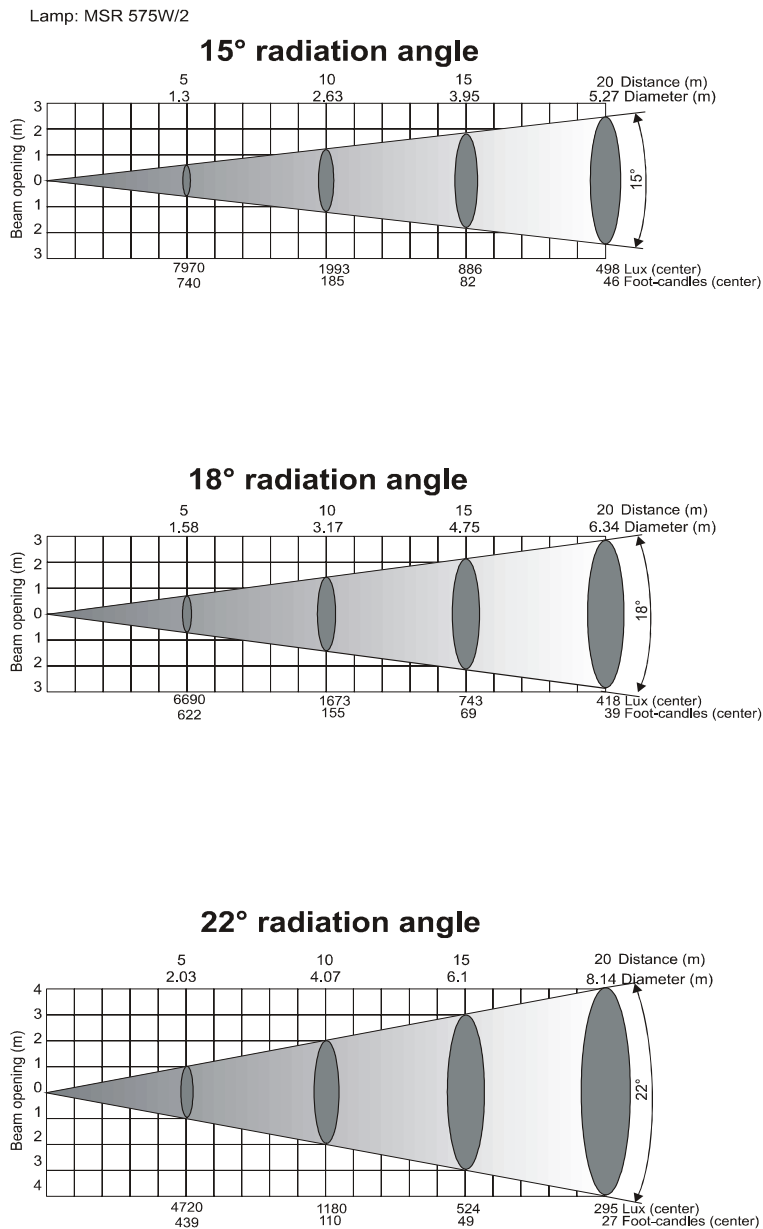
Lamp:

Philips MSR 575/2, 95V/575W GX-9,5

Optical System:

- High luminous-efficiency glass reflector
- focus lens and multistep zoom lenses system
- beam angles: 15°, 18°, 22°
- All lenses are anti-reflection coated

Beampath:



Colours:

Colour wheel 1:

- 9 dichroic filters + open

Colour wheel 2:

- 8 replaceable 'SLOT&LOCK' dichroic filters (including 3200 K and UV filter) + open

Static gobo wheel:

- 9 replaceable 'SLOT&LOCK' metal gobos plus an open position, outside diameter=26.9mm, image diameter=22.5mm, aluminium, thickness=0.5mm

Rotating gobo wheel:

- 6 dichroic glass gobos and one glass gobo rotating in both directions at different speeds
- Gobo indexing
- Rotating gobo-wheel cont. rotation
- Multicolor dichroic glass gobos: outside diameter=26.8mm, thickness=1.1mm, high temperature borofloat or better glass, image diameter=22 mm
- Glass gobo: outside diameter=26.8mm, max. thickness=4mm, high temperature borofloat or better glass
- All rotating gobos are easily replaceable

Strobe:

- Strobe effect with variable speed (max. 15 flashes per second)

Dimmer:

- Smooth dimmer from 0 - 100 %

Prism/Frost filter:

- 3-facet-prism (rotating in both directions at different speeds) can be replaced with another prism

Frost filter:

- Separate, variable frost filter

Focus/Zoom:

- Remotely controllable via DMX
- Motorized multi-step zoom with three different apertures (15°, 18°, 22°)

Iris:

- Motorized (steplessly adjustable) iris for different beam diameters

Motors:

- 16 high quality stepping-motors controlled by microprocessors

Electronics:

- Control via control panel with graphic LCD display and 2 buttons/ rotating wheel
- Readout fixture and lamp usage, receiving DMX values, temperature, etc
- Built-in analyzer for easy fault finding, error messages
- Remotely switching of the lamp
- Built-in demo sequences
- Black-out while head moving or gobo/color changing
- Silent fans cooling, remotely controllable speed of fans
- Self-resettable thermo-fuse
- Digital serial input DMX-512, RDM support
- 4 control-channels presettings (27, 19, 29, 21 control channels)

Pan/Tilt

- Pan movement range 530°
- Tilt movement range 280°

- Max.Pan speed 157.27°/sec.
- Max.Tilt speed 108.95°/sec.
- Pan/tilt control accuracy: 0.00415°/0.00415°
- 16 bit movement resolution
- Automatic Pan / Tilt position correction
- Remotely controllable speed of pan/tilt movement for easy programming
- Movement control:tracking and vector

Rigging

- Stands directly on the floor
- Mounts horizontally or vertically with 2 Omega brackets
- 2 truss orientation
- Safety chain/cord attachment point

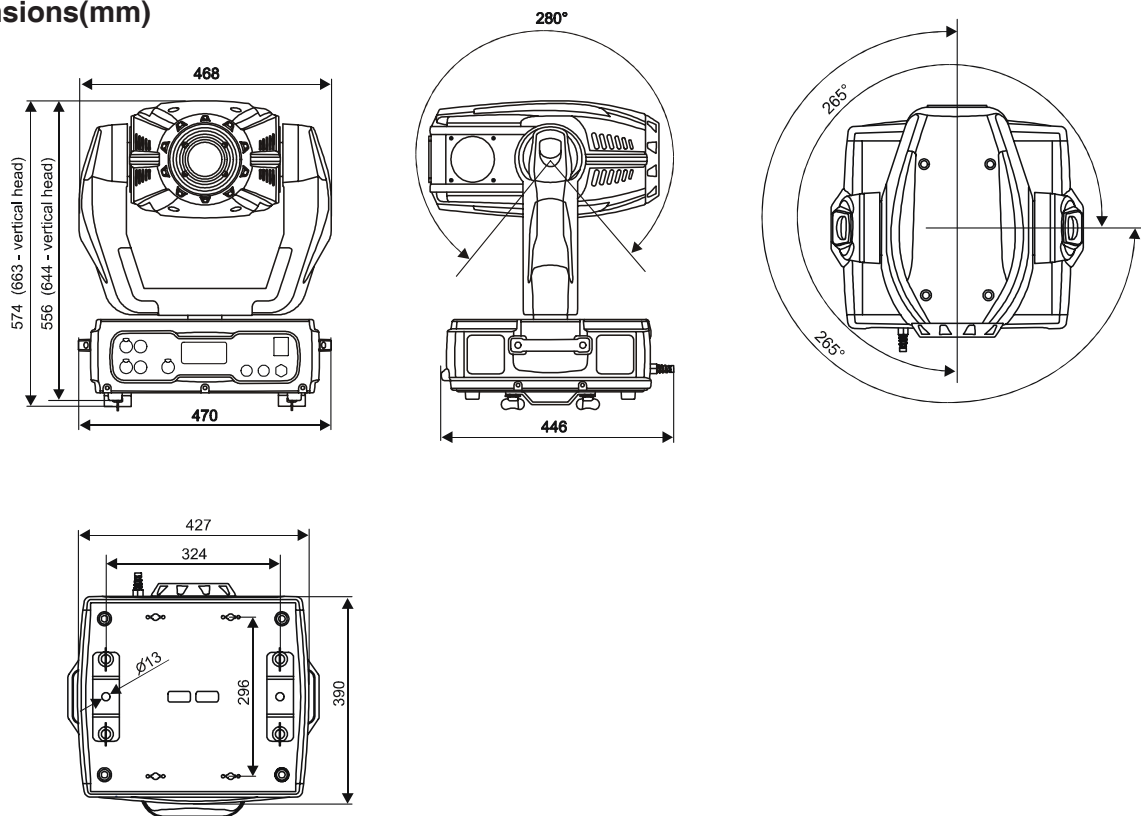
Temperatures

- Maximum ambient temperature : 40° C
- Maximum housing temperature : 80° C

Minimum distances

- Min.distance from flammable surfaces: 0,7m
- Min.distance to lighted object: 2,0m

Dimensions(mm)



Weight (net):

26kg (electronic ballast)

Accessories

- Accessories gobo-set 13.....15050022
- Omega holder (2 pieces).....99010420

Optional accessories:

- Remote control IR.....13050419)
- Frost module..... 99010322